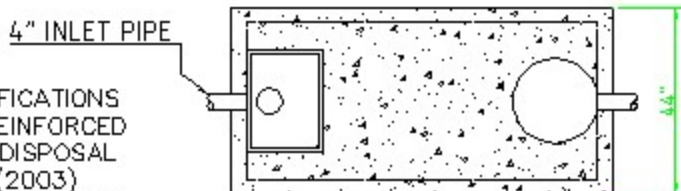


600 SEPTIC TANK

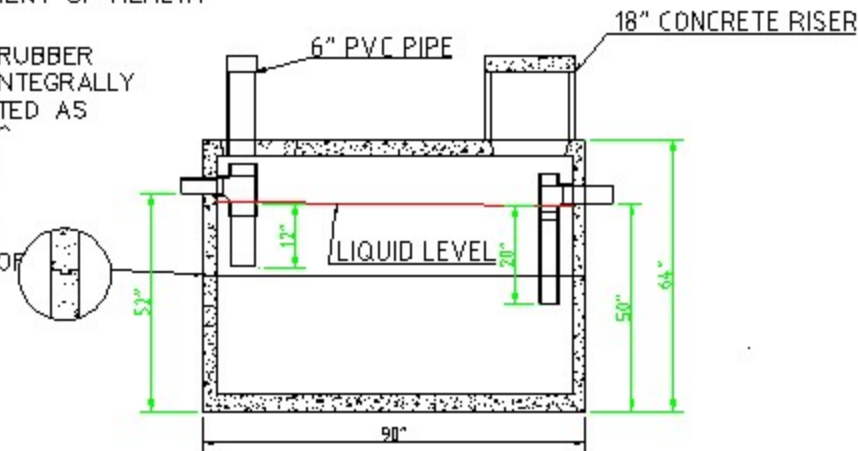


SEPTIC TANK DESIGN SPECIFICATIONS
 CONFORMS TO: PRECAST REINFORCED
 FOR THE PRIVATE SEWAGE DISPOSAL
 LICENSING ACT AND CODE (2003)
 FOR ILLINOIS DEPARTMENT OF PUBLIC
 HEALTH & MISSOURI DEPARTMENT OF HEALTH

A LOK GASKET PER A.S.T.M. RUBBER
 GASKET SPECS. C413, CAST INTEGRALLY
 IN MANHOLE WALL AND LOCATED AS
 REQUIRED. JOINT ALLOWS 10°
 OMNIDIRECTIONAL DEFLECTION.

DESIGNED TO MEET RESILIENT
 CONNECTORS REQUIREMENTS OF
 A.S.T.M. C-923-79

CONCRETE COMPRESSIVE
 STRENGTH 4000 P.S.I.



HCP	HAMMIBAL CONCRETE PRODUCTS CO		REVISIONS	
	600 RED DEVIL ROAD HAMMIBAL MO 63401		BY	DATE
DATE: 01/01/00	BY: L. SMITH	PHONE: 573-321-4845	ORDER #	600 SEPTIC