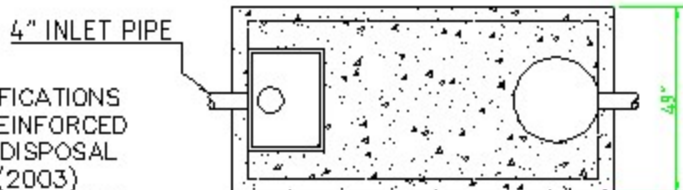


750 SEPTIC TANK

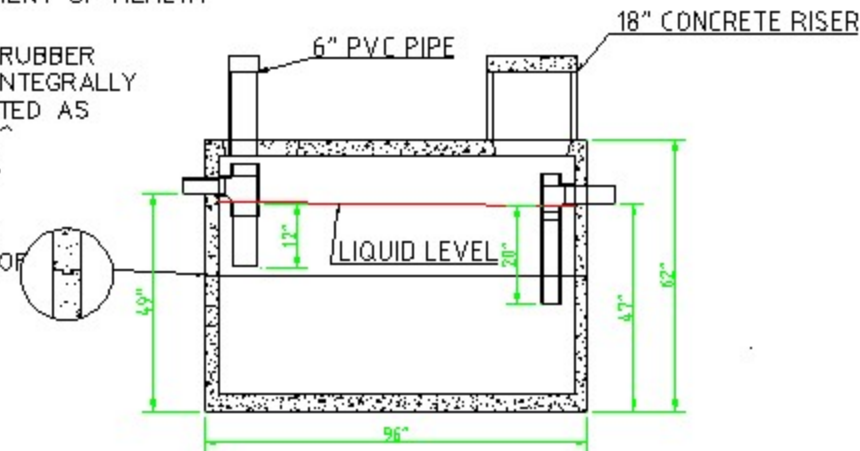



SEPTIC TANK DESIGN SPECIFICATIONS CONFORMS TO: PRECAST REINFORCED FOR THE PRIVATE SEWAGE DISPOSAL LICENSING ACT AND CODE (2003) FOR ILLINOIS DEPARTMENT OF PUBLIC HEALTH & MISSOURI DEPARTMENT OF HEALTH

A LOK GASKET PER A.S.T.M. RUBBER GASKET SPECS. C413, CAST INTEGRALLY IN MANHOLE WALL AND LOCATED AS REQUIRED. JOINT ALLOWS 10° OMNIDIRECTIONAL DEFLECTION.

DESIGNED TO MEET RESILIENT CONNECTORS REQUIREMENTS OF A.S.T.M. C-923-79

CONCRETE COMPRESSIVE STRENGTH 4000 P.S.I.



	HANNIBAL CONCRETE PRODUCTS CO 600 RED DEVIL ROAD HANNIBAL MO 63401		REVISIONS	
	DATE EUGENE SMITH	PHONE 573-321-4840	ORDER # 750 SEPTIC	BY